
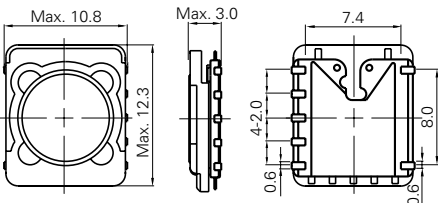

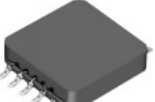
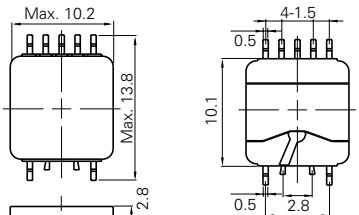


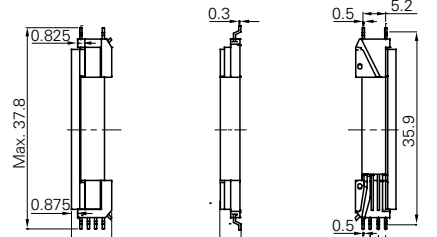

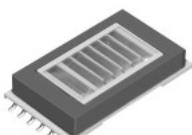
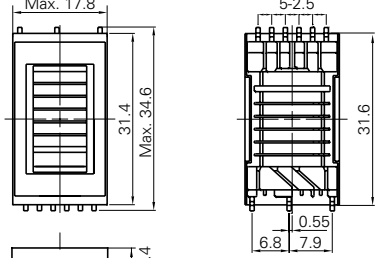


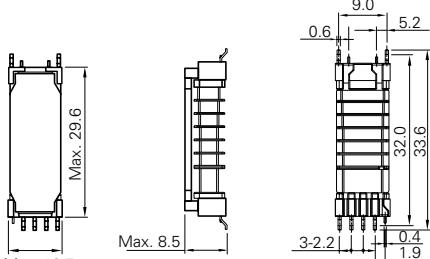


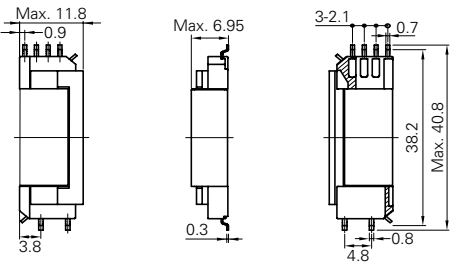

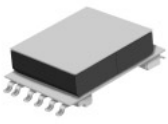
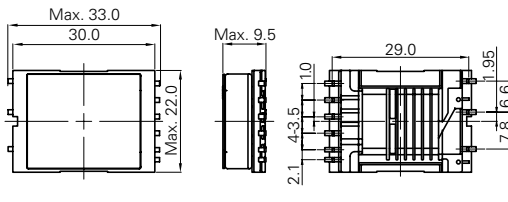


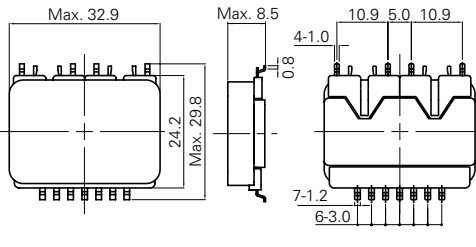


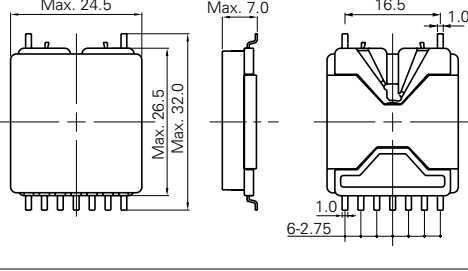


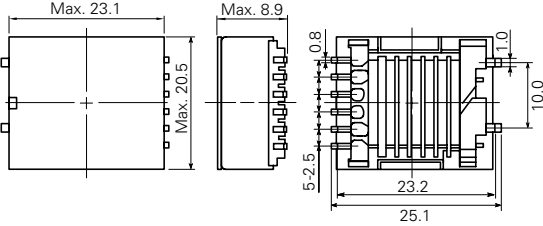

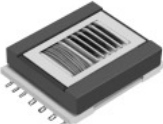
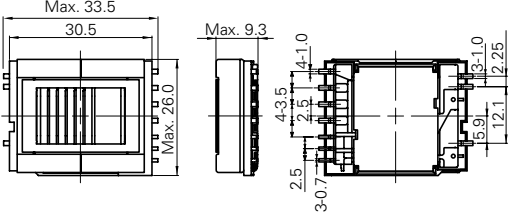

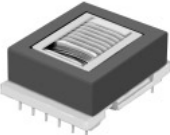
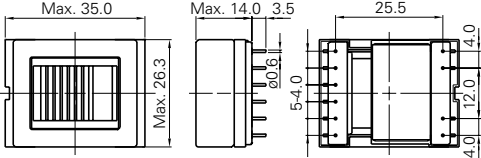


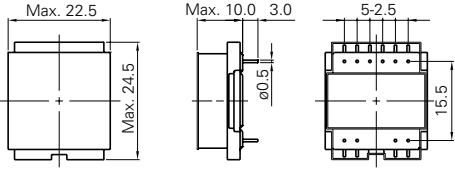



# Inverter Transformers

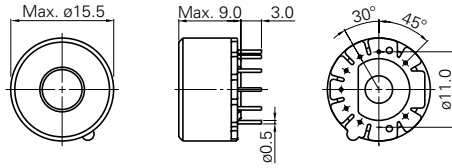
TYPE 型名	DIMENSIONS (mm) 外形寸法図	CONSTRUCTION 磁気構造図	SPECIFICATIONS 仕様
<b>CLQ122</b> 			<p>Operating Freq. : Max. 140kHz                      Max. Open Voltage : 750Vrms                      Max. Lamp Wattage : 1.2W</p>
<b>CPU9D25</b> 			<p>Operating Freq. : Max. 140kHz                      Max. Open Voltage : 750Vrms                      Max. Lamp Wattage : 1.5W</p>
<b>CIUH94</b> 			<p>Operating Freq. : Max. 100kHz                      Max. Open Voltage : 1,400Vrms (3sec)                      Max. Lamp Wattage : 4.0W</p>
<b>CI0H175</b> 			<p>Operating Freq. : Max. 150kHz                      Max. Open Voltage : 1,800Vrms                      Max. Lamp Wattage : 5.0W</p>
<b>CIU107</b> 			<p>Operating Freq. : Max. 300kHz                      Max. Open Voltage : 1,800Vrms                      Max. Lamp Wattage : 7.5W</p>

TYPE 型名	DIMENSIONS (mm) 外形寸法図	CONSTRUCTION 磁気構造図	SPECIFICATIONS 仕様
<b>CIUH11D66</b> 			Operating Freq. : Max. 300kHz Max. Open Voltage : 1,600Vrms Max. Lamp Wattage : 8.0W
<b>CEPH209</b> 			Operating Freq. : Max. 100kHz Max. Open Voltage : 2,000Vrms Max. Lamp Wattage : 10.0W
<b>CPUDL328</b> 			Operating Freq. : Max. 65kHz Max. Open Voltage : 1,500Vrms Max. Lamp Wattage : 6.0W x2
<b>CPUL236</b> 			Operating Freq. : Max. 100kHz Max. Open Voltage : 1,500Vrms Max. Lamp Wattage : 7.5W

TYPE 型名	DIMENSIONS (mm) 外形寸法図	CONSTRUCTION 磁気構造図	SPECIFICATIONS 仕様
<p><b>CEPH198</b></p> 			<p>Operating Freq. : Max. 100kHz                      Max. Open Voltage : 2,000Vrms                      Max. Lamp Wattage : 5.0W</p>
<p><b>CEPH249</b></p> 			<p>Operating Freq. : Max. 100kHz                      Max. Open Voltage : 2,000Vrms                      Max. Lamp Wattage : 15.0W</p>
<p><b>EEH2513</b></p> 			<p>Operating Freq. : Max. 500kHz                      Max. Open Voltage : 2,200Vrms                      Max. Lamp Wattage : 15.0W</p>
<p><b>EP208B</b></p> 			<p>Operating Freq. : Max. 300kHz                      Max. Open Voltage : 1,600Vrms                      Max. Lamp Wattage : 4.0W</p>

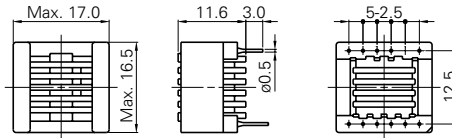
TYPE 型名	DIMENSIONS (mm) 外形寸法図	CONSTRUCTION 磁気構造図	SPECIFICATIONS 仕様
------------	--------------------------	-----------------------	----------------------

### LC158



Operating Freq. : Max. 100kHz  
 Max. Open Voltage : 900Vrms  
 Max. Lamp Wattage : 2.5W

### SEP-16

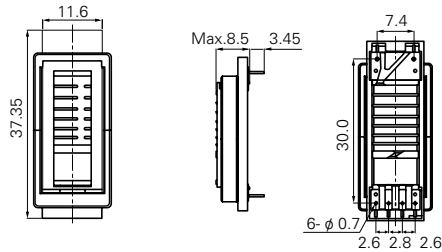


Operating Freq. : Max. 300kHz  
 Max. Open Voltage : 1,200Vrms  
 Max. Lamp Wattage : 4.0W

### EEH158



**PROVISIONAL**



Operating Freq. : Max. 100kHz  
 Max. Open Voltage : 1,800Vrms (3sec)  
 Max. Lamp Wattage : 7.0W

**About EEH158**

This specification might be changed without notice due to under developing and improving. Please contact us for our mass production schedule. Thank you for your understanding.  
 本仕様は開発中につき、製品の改善等により記載内容を予告なく変更することがありますので、ご了承下さい。量産時期についてはお問合せ下さい。